



Maham Tajhiz Sepand

ELECTRICAL & MECHANICAL EPC CONTRACTOR



Steel & Galvanized Conduits
Conduit Fittings
Flexible Conduits



1. INTRODUCTION

Maham Tajhiz Sepand products introduction and selecting M.T.S

2. STEEL CONDUITS

VOLTECX BS4568: Part 1: 1970 (Class 4) Conduit IEC 61386-21:2004; IEC 60614-2-1:1993; BSEN50086-2-1:1996

VOLTECX BS4568: Part 1: 1970 (Class 3) Conduit IEC 61386-21:2004

VOLTECX BS31: 1940 (Class 3) Conduit

3. CIRCULAR JUNCTION BOXES

1 Way/ Terminal Box

2 Way/ Angle Box

3 Way/ Tee box

Extension Ring

1 Way/ Terminal Box with Backhole

2 Way/ Through box

4 Way/ Intersection/ Cross Box

4. CONDUIT ACCESSORIES

Circular Box Cover/Lid

Half Saddle

Screwless Coupler/ Socket Joint

Heavy Duty Distance Saddle

Reducer

Spacer Bar Saddle

Coupling/ Socket

Dome Cover/ Lid

Short Nipple

5. CONDUIT ACCESSORIES

Brass Male Bush – Short

Brass Female Bush

Flange Coupling

Ball and Socket

Brass Male Bush – Long

Hex Lock Nut

Stop Plug

Lock Ring

6. SWITCH AND SOCKET BOXES (K.O. BOXES)

1 Gang Knock Out (K.O)/ Switch and Socket Box

2 Gang Knock Out (K.O)/ Switch and Socket Box

1 Gang Knock Out (K.O)/ Switch and Socket Box – “with Fish Tail”

2 Gang Knock Out (K.O)/ Switch and Socket Box – “with Fish Tail”

7. FLEXIBLE CONDUIT SYSTEM

PVC Coated Flexible Conduit

Low Smoke (LSOH) Coated Flexible Conduit

G.I. Steel Flexible Conduit

Brass Adaptor C/W Locknut

Liquid Tight Adaptor

8. SUPPORT CHANNEL SYSTEM

41 x 41 C-Channel

41 x 41 C-Channel - Slotted

Spring Nut

C-Bracket

Washers

Angle Irons

Roofing-Bolt-Nuts

41 x 21 C-Channel

41 x 21 C-Channel – Slotted

Threaded Rod

Threaded Rod Coupler

Hex Nuts & Bolts

Drop-In Anchor

9. CABLE SUPPORT SYSTEM

Metal Cable Trunkings

Metal Cable Trays

Metal Cable Ladders



M.T.S Co, is specializing in supplying of high quality conduits and conduit fittings, backed by strong and responsive customer service team and highly expertize and moti-vated production team whose sole purpose is on customer satisfaction.

M.T.S conduits range are manufactured using the highest steel grade, ensuring strong mechanical strength and to the highest quality accordance to the relevant International standards.

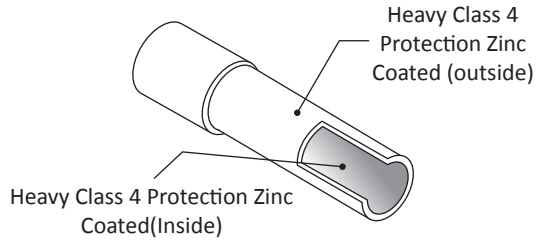
A strict set of quality assurance and procedures are enforced from raw material selection to production to packing and shipping of the end products, helps ensure clients gets the highest quality product and helps us propel our conduit systems to international fame.

Why choose M.T.S Co,?

- High quality mild steel , continuously welded to ensure smooth internal surface to ensure easy wire pulling, and superior bending and forming properties.
- Threading complied with BS Specifications.
- Conduits are packed in small individual wrapped for easier handling and are supplied with one socket and a plastic capping on the other end to protect thread from damage.
- Full range of European standard of BS4568, IEC 61386, IEC 60614, BSEN 50086 steel conduits and conduit fittings and accessories.
- Steel flexible conduits to BS731 standards
- K.O Boxes (Switch and socket boxes) to BS4662 standard.
- Various colored Epoxy powder coated finishing available upon request.
- Service-Oriented and responsive.
- Proper storage of finished products to ensure customers gets the freshest conduits and conduit fittings each time.
- Large and consistent stockpile available for a fast dispatch of ready goods.

**M.T.S Rigid BS4568: Part 1: 1970 (Class 4) Conduit
IEC 61386-21:2004; IEC 60614-2-1:1993; BSEN50086-2-1:1996**

- Heavy protection on the interior and exterior of conduit surface.
- Hot-Dipped Galvanized to ASTM A153
- Supplied with one coupler (ASME B16.11) Hot-Dipped Galvanized to ASTM A153 and threaded at both ends.
- Heavy Gauge Metric size threaded
- Suitable for outdoor installation and places where there's high level of corrosion, chemical plants, and in areas of high humidity

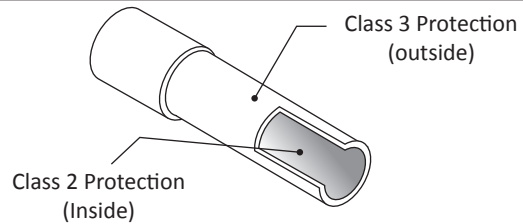


Nominal size	Outside Diameter		Nominal Wall Thickness	Length of Threads		Weight per Length
	Min	Max		Min	Max	
20mm	19.7mm	20.0mm	1.6+- 0.15mm	13.0	15.0	+2.9kg
25mm	24.6mm	25.0mm	1.6+- 0.15mm	16.0	18.0	+3.8kg
32mm	31.6mm	32.0mm	1.6+- 0.15mm	18.0	20.0	+5.5kg

Note: Standard length 3m (w/o coupler)
: Colored, epoxy powder coated conduits supplied upon request

M.T.S Rigid BS4568: Part 1: 1970 (Class 3) Conduit IEC 61386-21:2004

- Medium protection on the interior and exterior of conduit surface.
- Supplied with one coupler and threaded at both ends.
- Heavy Gauge Metric size threaded
- Suitable for indoor and semi-indoor installation

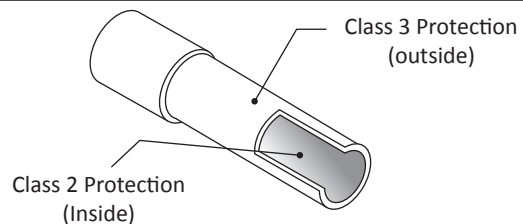


Nominal size	Outside Diameter		Nominal Wall Thickness	Length of Threads		Weight per Length
	Min	Max		Min	Max	
20mm	19.7mm	20.0mm	1.6+- 0.15mm	13.0	15.0	+2.7kg
25mm	24.6mm	25.0mm	1.6+- 0.15mm	16.0	18.0	+3.4kg
32mm	31.6mm	32.0mm	1.6+- 0.15mm	18.0	20.0	+4.5kg

Note: Standard length 3 m (w/o coupler)
: Colored, epoxy powder coated conduits supplied upon request

M.T.S Rigid BS31: 1940 (Class 3) Conduit

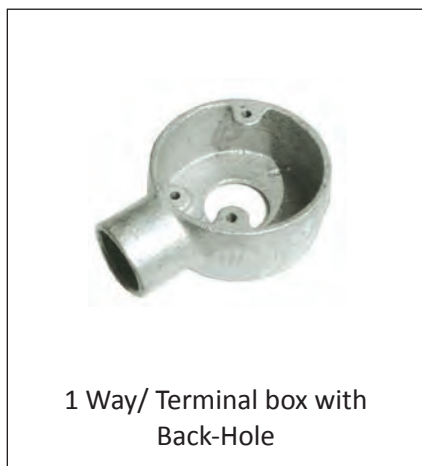
- Medium protection on the interior and exterior of conduit surface.
- Supplied with one coupler and threaded at both ends.
- Heavy Gauge Imperial size threaded
- Suitable for indoor and semi-indoor installation



Nominal size	Outside Diameter		Nominal Wall Thickness	Length of Threads		Weight per Length
	Min	Max		Min	Max	
¾"	18.8mm	19.1mm	1.6+- 0.15mm	13.0	15.0	+2.7kg
1"	25.1mm	25.4mm	1.6+- 0.15mm	16.0	18.0	+3.4kg
1 ¼"	31.5mm	31.8mm	1.6+- 0.15mm	18.0	20.0	+4.5kg

Note: Standard length 3 m (w/o coupler)
: Colored, epoxy powder coated conduits supplied upon request

Marking:	M.T.S Co,
Material:	Malleable Iron – BS4568: Pt 2: 1970/ IEC 61386-21-2004
Finishing:	Hot-Dipped Galvanized to BS EN ISO 1461
Fixing Center:	Tapped M4 at 50.8mm center
Sizes:	20mm, 25mm, 32mm



Circular Box Cover/ Lid



Material:	Steel
Finishing:	Plain Galvanized or Hot-Dipped Galvanized
Sizes:	Small for 20mm and 25mm, and large for 32mm

Spacer Bar Saddle



Material:	Steel
Finishing:	Plain Galvanized or Hot-Dipped Galvanized
Sizes:	20mm, 25mm, 32mm

Half Saddle



Material:	Steel
Finishing:	Plain Galvanized
Sizes:	20mm, 25mm, 32mm

Coupling/ Socket



Material:	Steel
Finishing:	Plain Galvanized or Hot-Dipped Galvanized
Sizes:	20mm, 25mm, 32mm

Socket Joint/Screwless Coupler



Material:	Steel
Finishing:	Plain Galvanized
Sizes:	20mm, 25mm, 32mm

Dome Cover/ Lid



Material:	Malleable Iron
Finishing:	Plain Galvanized or Hot-Dipped Galvanized
Sizes:	20mm, 25mm, 32mm

Heavy Duty Distance Saddle



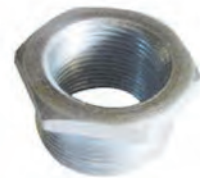
Material:	Malleable Iron-Base
Finishing:	Hot-Dipped Galvanized
Sizes:	20mm, 25mm, 32mm

Short Nipple



Material:	Steel
Finishing:	Plain Galvanized
Sizes:	20mm, 25mm, 32mm

Reducer



Material:	Brass/ Alloy
Finishing:	Plain Galvanized
Sizes:	25mm x 20mm, 32mm x 25mm

Brass Male Bush- Short



Material:	Brass
Finishing:	-
Sizes:	20mm, 25mm, 32mm

Brass Male Bush- Long



Material:	Brass
Finishing:	-
Sizes:	20mm, 25mm, 32mm

Female Bush



Material:	Brass
Finishing:	-
Sizes:	20mm, 25mm, 32mm

Hex Locknut



Material:	Alloy/ Brass
Finishing:	Plain Galvanized
Sizes:	20mm, 25mm, 32mm

Flange Coupling



Material:	Steel
Finishing:	Plain Galvanized
Sizes:	20mm, 25mm, 32mm

Stop Plug



Material:	Alloy/ Brass
Finishing:	Plain Galvanized
Sizes:	20mm, 25mm, 32mm

Ball and Socket



Material:	Steel
Finishing:	Galvanized
Sizes:	20mm, 25mm

Lock Ring



Material:	Alloy/ Brass
Finishing:	Plain Galvanized
Sizes:	20mm, 25mm, 32mm

1 Gang Knock-Out (K.O)/ Switch and Socket Box



Material:	Steel
Finishing:	Plain Galvanized
Standard:	BS4662 (thickness 1.1mm-1.2mm) Normal (thickness 0.8mm)
Sizes:	75mm (width) x 75mm (Length) x 35mm (Height)
Features:	Available mixed 20mm and 25mm K.O Holes 1 adjustable lug 1 earth terminal

2 Gang Knock-Out (K.O)/ Switch and Socket Box



Material:	Steel
Finishing:	Plain Galvanized
Standard:	BS4662 (thickness 1.1mm-1.2mm) Normal (thickness 0.8mm)
Sizes:	135mm (width) x 75mm (Length) x 35mm (Height)
Features:	Available mixed 20mm and 25mm K.O Holes 1 adjustable lug 1 earth terminal

1 Gang Knock-Out (K.O)/ Switch and Socket Box – “ With Fish Tail”



Material:	Steel
Finishing:	Hot-Dipped Galvanized
Standard:	BS4662 (thickness 1.1mm-1.2mm) Normal pattern welded fish tail
Sizes:	75mm (width) x 75mm (Length) x 35mm (Height)
Features:	Available mixed 20mm and 25mm K.O Holes 1 earth terminal

2 Gang Knock-Out (K.O)/ Switch and Socket Box- “ With Fish Tail”



Material:	Steel
Finishing:	Hot-Dipped Galvanized
Standard:	BS4662 (thickness 1.1mm-1.2mm) Normal pattern welded fish tail
Sizes:	135mm (width) x 75mm (Length) x 35mm (Height)
Features:	Available mixed 20mm and 25mm K.O Holes 1 earth terminal

PVC Coated Flexible Conduit



Material:	Electro-Galvanized Steel with self-extinguishing black PVC sheathing
Standard:	BS731/ BS EN 50086
IP Rating:	IP 67 (when installed with liquid tight adaptors)
Features:	Highly flexible, provide good protection of cables water-resistant with maximum protection against most liquids and solid particles. High temperature resistance up till 120deg c. Manufactured to withstand vibrations of installations and equipment

G.I. Steel Flexible Conduit



Material:	Electro-Galvanized Steel
Standard:	BS731
IP Rating:	IP40
Features:	Highly flexible and economical and offers good mechanical protection. Highest temperature resistance of up to 350deg c

Low Smoke (LSOH) Coated Flexible Conduit



Material:	Electro-Galvanized Steel with heat resistant, low smoke halogen free sheathing
Standard:	IEC 61386/ IEC 61034
IP Rating:	IP 67 (when installed with liquid tight adaptors)
Features:	Resistance to flame, does not emit toxic gases when heated. Ideal for installation in fire-hazard areas

Liquid Tight Flexible Conduit



Material:	Electro-Galvanized Steel with self-extinguishing black PVC sheathing
Standard:	BS731
IP Rating:	IP 67 (when installed with liquid tight adaptors)
Features:	Resistance to oil, seawater and tough acids. Ideal for installation in chemical plants

Brass Adaptor C/W Locknut



Material:	Alloy
Finishing:	Brass
Sizes:	20mm x 16mm, 20mm x 20mm, 20mm x 5/8", 25mm x 20mm, 25mm x 25mm, 32mm x 25mm

Nickle Plated Adaptor

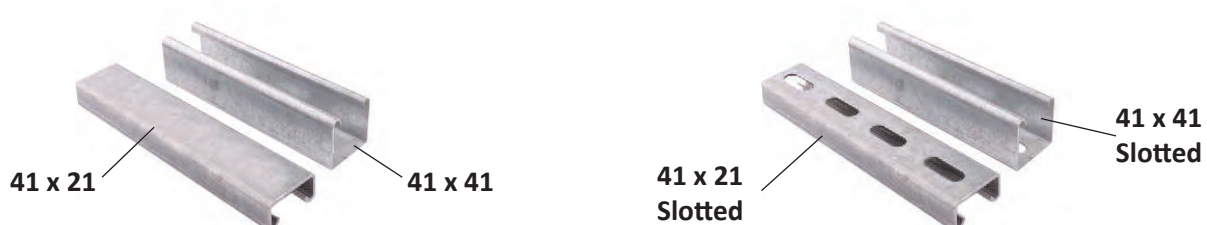



Material:	Alloy
Finishing:	Nickle plated
Sizes:	20mm x 16mm, 20mm x 20mm, 20mm x 5/8", 25mm x 20mm, 25mm x 25mm, 32mm x 25mm

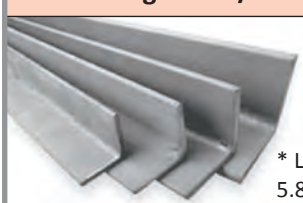
Liquid Tight Adaptor





Material:	Alloy
Finishing:	Galvanized
Sizes:	20mm x 16mm, 20mm x 20mm, 20mm x 5/8", 25mm x 20mm, 25mm x 25mm, 32mm x 25mm


Struts C-Channels	
	
Material and Finishing:	Mild Steel with Hot-Dipped Galvanized Finishing (BS EN ISO 1461)/ Stainless Steel to SS304 or SS316
Thickness:	2.0mm/ 2.5mm
Length:	3.0mtr/ 5.8mtr/ 6mtr


Threaded Rods	
 <p>* Length: 2mtr, others upon request</p>	
Material:	Low Carbon Steel
Finishing:	Electro-Galvanized
Sizes:	3/8", 10mm, 12mm, 16mm

Angle Bars/ Irons	
 <p>* Length: 5.8mtr/ 6mtr</p>	
Material:	Mild Steel
Finishing:	Hot-Dipped Galvanized
Sizes:	25mm x 25mm, 32mm x 32mm, 38mm x 38mm


C-Brackets	
	
Material:	Mild Steel
Finishing:	Hot-Dipped Galvanized / Electro-Galvanized
Sizes:	3"-5"-4", 4"-6"-6"


Threaded Rod Coupler	
	
Material:	Low Carbon Steel
Finishing:	Electro-Galvanized
Sizes:	3/8", 10mm, 12mm, 16mm

Roofing Bolt and Nuts	
	
Material:	Low Carbon Steel
Finishing:	Electro-Galvanized
Sizes:	M6x12, 16,20

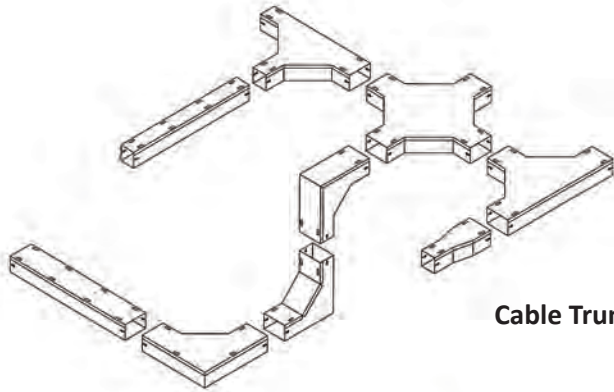
Hex Bolt and Nuts	
	
Material:	Low Carbon Steel
Finishing:	Electro-Galvanized
Sizes:	M8, M10, M12

Drop-In Anchor	
	
Material:	Low Carbon Steel
Finishing:	Electro-Galvanized
Sizes:	3/8", 10mm, 12mm, 16mm

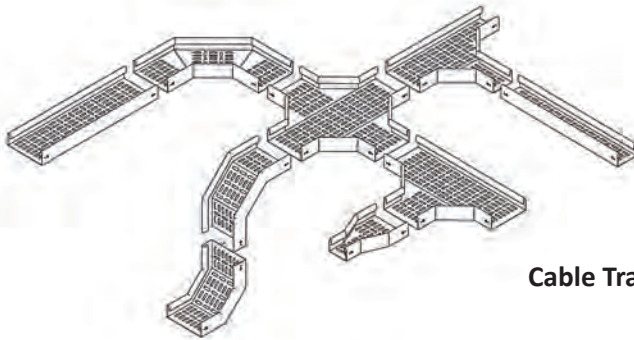
Spring Nut	
	
Material:	Low Carbon Steel
Finishing:	Electro-Galvanized
Sizes:	3/8", 10mm, 12mm, 16mm

Washers	
	
Material:	Low Carbon Steel
Finishing:	Electro-Galvanized
Sizes:	3/8", 10mm, 12mm, 16mm

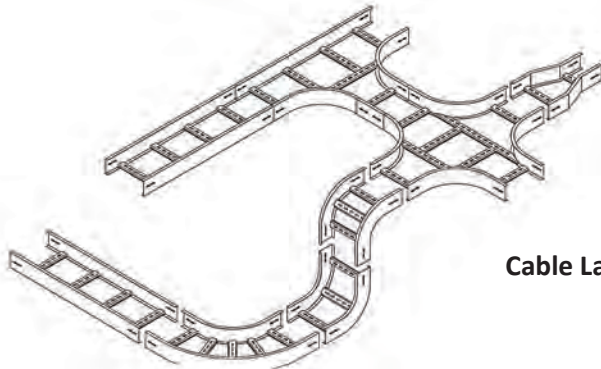
Metal Cable Trunkings/ Trays/ Ladders



Cable Trunking System



Cable Tray System



Cable Ladder System

Trunking sizes (mm)

50x25	50x50
75x50	100x50
100x75	100x100
150x50	150x75
150x100	150x150
200x50	200x75
200x100	200x150
250x75	250x100
300x50	300x75
300x100	300x150
400x100	500x100

Tray sizes (mm)

50	75
100	150
200	300
400	450
500	600
700	750
800	900
1000	1100

Ladder sizes (mm)

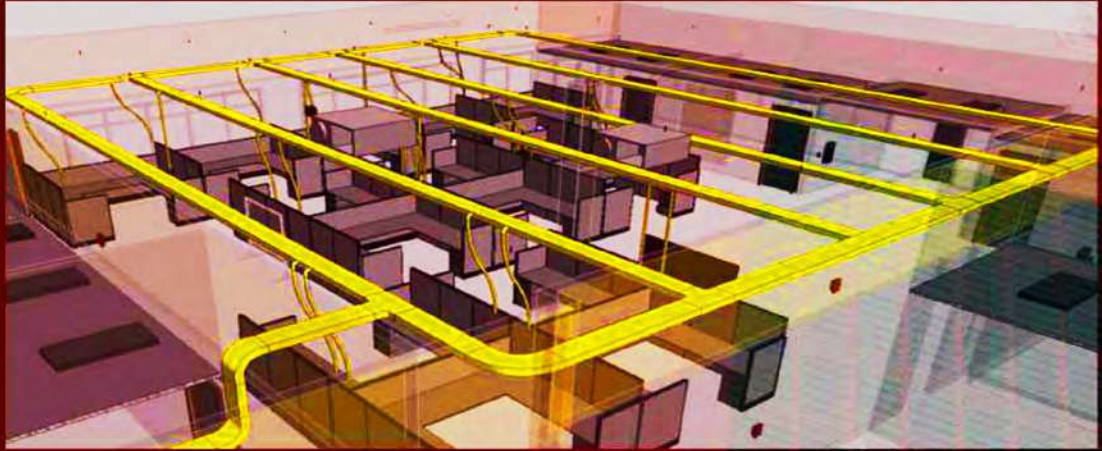
300mm	400mm
450mm	500mm
600mm	700mm
750mm	800mm
900mm	1000mm
1200mm	1400mm

* Other Sizes available

Materials	Type of Finishing
Electro-Galvanized or eq	Epoxy Powder Coated to a minimum of 50 microns SS249 standard available.
Galvanized iron to JIS G3302 or ASTM A52	Original Finishing
Cold Rolled/ Hot-Rolled Steel to JIS G3141/ 3131	Epoxy Powder Coated or Hot-Dipped Galvanized to BS EN ISO1461: 1999
Electro-Galvanized Zinc coated to JIS G3313 SECC	Epoxy Powder Coated
Stainless Steel to SS304/ SS316	Original Finishing

Standard Length:	2mof 3m/ Custom lengths are available upon request
Complete with:	Joint Plate, bolt and nut, copper link and tapping screws
Others:	Original factory fittings are available upon request

WE PROVIDE CREATIVITY



Maham Tajhiz Sepand.co

Our mission is to controll and access all the ways thatcaild up success roads and beautifully resonably presented in the main ora of business world can build up success roads and beautifully resonably presented.

Add : 2nd Floor, No.374, Mirdamad Blvd, Tehran, 15189-65514, Iran.

Tel:+9821-88677205,88677206,22035501, 22035499

Fax: +9821- 88677129

Website: Wwww.mtsepand.com

Email: Info@mtsepand.com